



A Hand Dryer solution for every project and every budget,  
Metlam Australia has your requirements covered.

Proudly Australian owned and  
celebrating over 20 years in the market.

Metlam Australia Hand Dryers



**It's time to discover the difference!**

Celebrating over 20 years in operation, Metlam Australia is a proud wholly Australian-owned and managed company specialising in the manufacture of quality Commercial Washroom Accessories and Toilet Partition Hardware for the commercial, residential, hospitality, health, science, care, education, security and public facilities markets.

## Our Hand Dryers

Metlam Australia has a range of fast, efficient, functional and cost-effective hand dryers for every project requirement. Our range includes elements of innovative Australian design and local assembly - from slimline contemporary designs through to ultra-efficient automatic high velocity drying. You can't go past Metlam Australia Hand Dryers to address any commercial washroom hand dryer requirements.

### Our products are suitable for:



COMMERCIAL / INDUSTRIAL FACILITIES



HEALTH AND AGED CARE / RESEARCH FACILITIES



HOSPITALITY AND LEISURE FACILITIES



RESIDENTIAL FACILITIES



EDUCATIONAL FACILITIES



ACCESSIBLE COMPLIANT



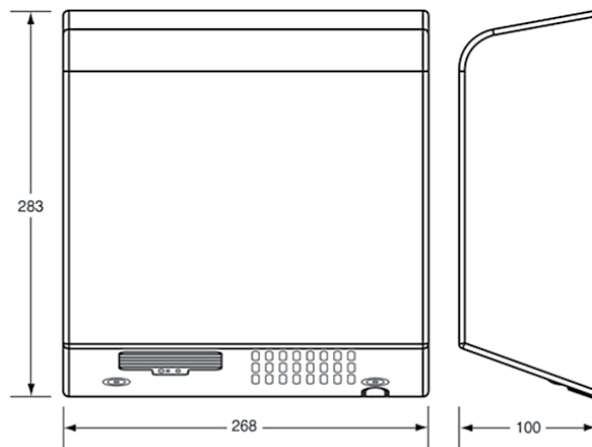
PUBLIC FACILITIES



AUTO

# ML\_100N\_SS

## Slimline Automatic Operation Hand Dryer



### ML\_100N\_SS SPECIFICATIONS

<b>Material</b>	1.2mm #304 Satin Stainless Steel
<b>Motor</b>	1/4 HP, 7500 rpm, Brush Type, Dual Ball Bearings Motor, Thermal Protection-Auto Resetting Thermostat turns off at 105°C
<b>Power Use</b>	230-240 Vac, 50/60Hz, 2200-2400W
<b>Sound Level</b>	70db (+/-3)
<b>Drying Time</b>	Less than 15 seconds
<b>DP Rating</b>	IPX 1
<b>Element</b>	2200W @ 240VAC
<b>Heater</b>	87°C auto resetting thermostat, 141°C auto reset safety cut off
<b>Warm Air</b>	Output: 314.5m <sup>3</sup> /h (185 CFM), Temp: Ambient +20°C
<b>Protection</b>	60 sec power cut off, auto reset
<b>Timing</b>	2 sec delay turn off after last read
<b>Sensor/Range</b>	Adjustable, standard 18cm ± 2cm
<b>Case Security</b>	2 SS theft resistant hex drive screws (hex key supplied)
<b>Net Weight</b>	4.5kg
<b>Dimensions</b>	268mmW x 283mmH x 100mmD
<b>Warranty</b>	5 Years (3 Years Parts and Labour + 2 Years Parts only)
<b>Note</b>	Unit can be hard wired by electrician or used with cord and plug provided



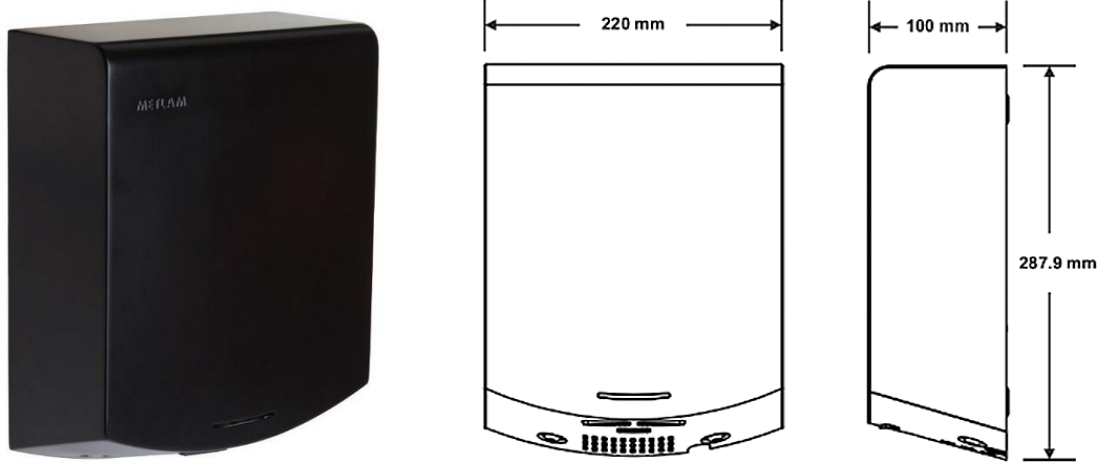
\*Accessible compliant when installed in accordance with AS1428.1. guidelines.

Safety Approvals



# ML\_ECLIPSE\_DESIGNER

## Slimline Automatic Operation Hand Dryer



### ML\_ECLIPSE\_DESIGNER SPECIFICATIONS

<b>Material</b>	1.2mm Designer Matte Black Powder Coat Steel
<b>Features</b>	Patented high-flow dual air outlets
<b>Motor</b>	250-500W Brush Type: Dual Ball Bearings, 16,000-29,000 RPM, 95°C auto reset overload
<b>Power Use</b>	220-240V, 50Hz, 1000W
<b>Sound Level</b>	72 DB (+-3) @1M
<b>Drying Time</b>	Less than 15 seconds
<b>DP Rating</b>	IP 24
<b>Element</b>	325 - 500W, adjustable
<b>Heater</b>	Auto resetting thermostat turns unit off at 85°C
<b>Warm Air</b>	Speed: 95-115m/s (adjustable), Temp: Ambient +25°
<b>Protection</b>	60 sec power cut off, auto reset
<b>Sensor/Range</b>	Infrared Automatic - 152mm +/-20mm preset, Blue LED indicates operation/range
<b>Case Security</b>	2 SS theft resistant hex drive screws (hex key supplied)
<b>Net Weight</b>	4.2kg
<b>Dimensions</b>	220mmW x 287.9mmH x 100mmD
<b>Warranty</b>	5 Years (3 Years Parts and Labour + 2 Years Parts only)
<b>Note</b>	Unit can be hard wired by electrician or used with cord and plug provided



\*Accessible compliant when installed in accordance with AS1428.1. guidelines.

Safety Approvals

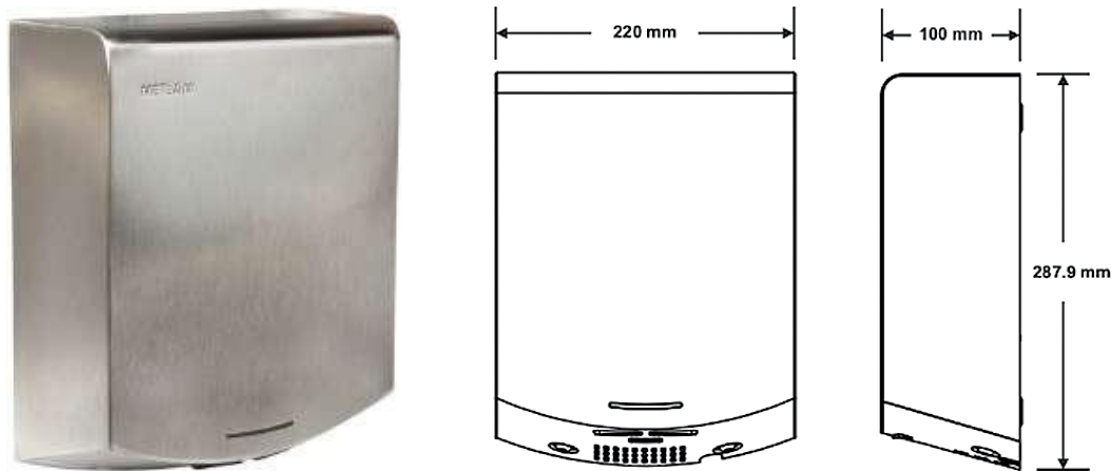


Green Certificates



# ML\_ECLIPSE05\_SS

## Slimline Automatic Operation Hand Dryer



### ML\_ECLIPSE05\_SS SPECIFICATIONS

<b>Material</b>	1.2mm #304 Satin Stainless Steel
<b>Features</b>	Patented high-flow dual air outlets
<b>Motor</b>	250-500W Brush Type: Dual Ball Bearings, 16,000-29,000 RPM, 95°C auto reset overload
<b>Power Use</b>	220-240V, 50Hz, 1000W
<b>Sound Level</b>	72 DB (+-3) @1M
<b>Drying Time</b>	Less than 15 seconds
<b>DP Rating</b>	IP 24
<b>Element</b>	325 - 500W, adjustable
<b>Heater</b>	Auto resetting thermostat turns unit off at 85°C
<b>Warm Air</b>	Speed: 95-115m/s (adjustable), Temp: Ambient +25°
<b>Protection</b>	60 sec power cut off, auto reset
<b>Sensor/Range</b>	Infrared Automatic - 152mm +/-20mm preset, Blue LED indicates operation/range
<b>Case Security</b>	2 SS theft resistant hex drive screws (hex key supplied)
<b>Net Weight</b>	4.2kg
<b>Dimensions</b>	220mmW x 287.9mmH x 100mmD
<b>Warranty</b>	5 Years (3 Years Parts and Labour + 2 Years Parts only)
<b>Note</b>	Unit can be hard wired by electrician or used with cord and plug provided



\*Accessible compliant when installed in accordance with AS1428.1. guidelines.

Safety Approvals



Green Certificates



# ML\_ECLIPSE01\_WHT

## Slimline Automatic Operation Hand Dryer



### ML\_ECLIPSE01\_WHT SPECIFICATIONS

<b>Material</b>	1.2mm #304 White Powder Coat Steel
<b>Features</b>	Patented high-flow dual air outlets
<b>Motor</b>	250-500W Brush Type: Dual Ball Bearings, 16,000-29,000 RPM, 95°C auto reset overload
<b>Power Use</b>	220-240V, 50Hz, 1000W
<b>Sound Level</b>	72 DB (+-3) @1M
<b>Drying Time</b>	Less than 15 seconds
<b>DP Rating</b>	IP 24
<b>Element</b>	325 - 500W, adjustable
<b>Heater</b>	Auto resetting thermostat turns unit off at 85°C
<b>Warm Air</b>	Speed: 95-115m/s (adjustable), Temp: Ambient +25°C
<b>Protection</b>	60 sec power cut off, auto reset
<b>Sensor/Range</b>	Infrared Automatic - 152mm +/-20mm preset, Blue LED indicates operation/range
<b>Case Security</b>	2 SS theft resistant hex drive screws (hex key supplied)
<b>Net Weight</b>	4.2kg
<b>Dimensions</b>	220mmW x 287.9mmH x 100mmD
<b>Warranty</b>	5 Years (3 Years Parts and Labour + 2 Years Parts only)
<b>Note</b>	Unit can be hard wired by electrician or used with cord and plug provided



\*Accessible compliant when installed in accordance with AS1428.1. guidelines.

Safety Approvals

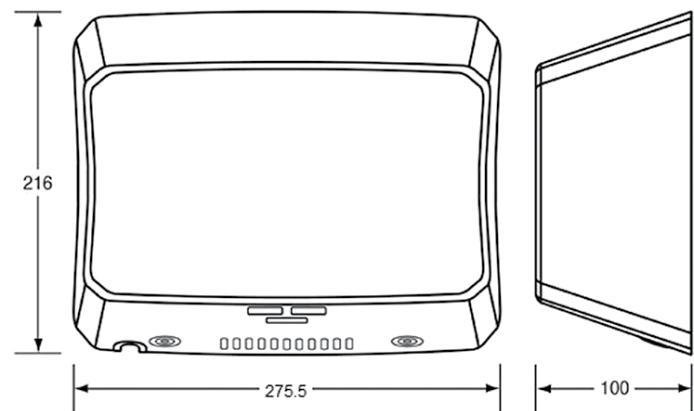


Green Certificates



# ML\_ECOSLENDER\_DESIGNER

Slimline Eco Automatic Operation Hand Dryer



## ML\_ECOSLENDER\_DESIGNER SPECIFICATIONS

<b>Material</b>	1.2mm Designer Matte Black Powder Coated Steel
<b>Features</b>	Contemporary curved design, Patented high-flow dual air outlets
<b>Motor</b>	Brush Type, Dual Ball Bearings, 16,000-29,000 RPM, 95°C auto reset overload
<b>Power Use</b>	240V, 50Hz, 1000W, 4.17A
<b>Sound Level</b>	68.9dB - 74.3dB (Adjustable)
<b>Drying Time</b>	Less than 15 seconds
<b>DP Rating</b>	IP 24
<b>Element</b>	325 - 500W, (Adjustable)
<b>Heater</b>	ON/OFF Heating Options, 85°C auto resetting thermostat, 142°C auto reset safety cut off
<b>Warm Air</b>	Speed: 45.5-70m/s (adjustable), Temp: Ambient +25°C
<b>Protection</b>	60 sec power cut off, auto reset
<b>Sensor/Range</b>	Infrared Automatic, Self Adjusting, 170mm+/-20mm, Blue LED indicates operation/range
<b>Case Security</b>	2 SS theft resistant hex drive screws (hex key supplied)
<b>Net Weight</b>	3.8kg
<b>Dimensions</b>	275.5mmW x 216mmH x 100mmD
<b>Warranty</b>	5 Years (3 Years Parts and Labour + 2 Years Parts only)
<b>Note</b>	Unit can be hard wired by electrician or used with cord and plug provided



\*Accessible compliant when installed in accordance with AS1428.1. guidelines.

Safety Approvals



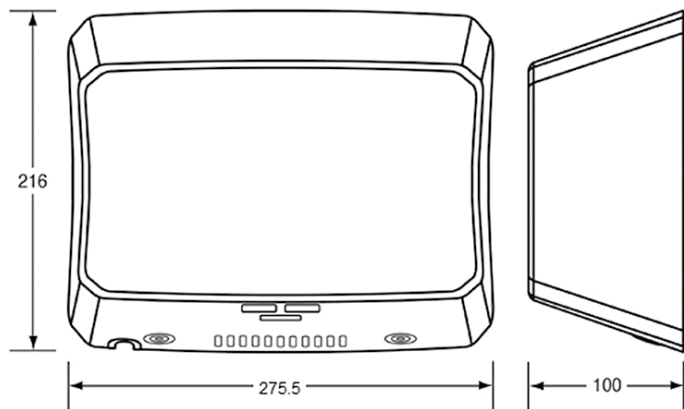
Green Certificates





# ML\_ECOSLENDER05\_SS

Slimline Eco Automatic Operation Hand Dryer



## ML\_ECOSLENDER05\_SS SPECIFICATIONS

<b>Material</b>	1.2mm #304 Satin Stainless Steel
<b>Features</b>	Contemporary curved design, Patented high-flow dual air outlets
<b>Motor</b>	Brush Type, Dual Ball Bearings, 16,000-29,000 RPM, 95°C auto reset overload
<b>Power Use</b>	240V, 50Hz, 1000W, 4.17A
<b>Sound Level</b>	68.9dB - 74.3dB (Adjustable)
<b>Drying Time</b>	Less than 15 seconds
<b>DP Rating</b>	IP 24
<b>Element</b>	325 - 500W, (Adjustable)
<b>Heater</b>	ON/OFF Heating Options, 85°C auto resetting thermostat, 142°C auto reset safety cut off
<b>Warm Air</b>	Speed: 45.5-70m/s (adjustable), Temp: Ambient +25°C
<b>Protection</b>	60 sec power cut off, auto reset
<b>Sensor/Range</b>	Infrared Automatic, Self Adjusting, 170mm+/-20mm, Blue LED indicates operation/range
<b>Case Security</b>	2 SS theft resistant hex drive screws (hex key supplied)
<b>Net Weight</b>	3.8kg
<b>Dimensions</b>	275.5mmW x 216mmH x 100mmD
<b>Warranty</b>	5 Years (3 Years Parts and Labour + 2 Years Parts only)
<b>Note</b>	Unit can be hard wired by electrician or used with cord and plug provided



\*Accessible compliant when installed in accordance with AS1428.1. guidelines.

Safety Approvals



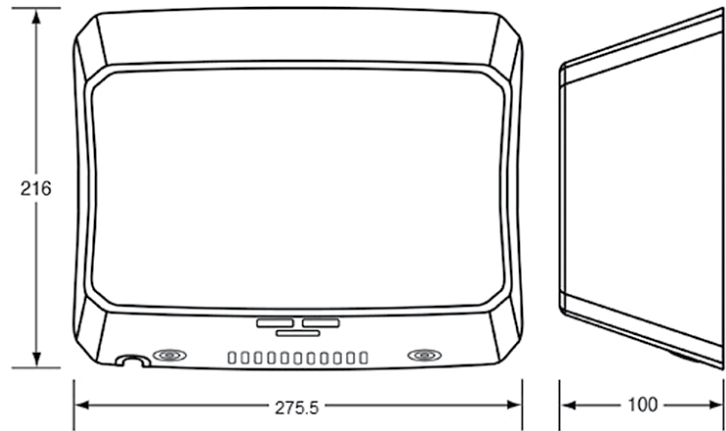
Green Certificates





# ML\_ECOSLENDER01\_WHT

Slimline Eco Automatic Operation Hand Dryer



## ML\_ECOSLENDER01\_WHT SPECIFICATIONS

<b>Material</b>	1.2mm #304 White Powder Coat Steel
<b>Features</b>	Contemporary curved design, Patented high-flow dual air outlets
<b>Motor</b>	Brush Type, Dual Ball Bearings, 16,000-29,000 RPM, 95°C auto reset overload
<b>Power Use</b>	240V, 50Hz, 1000W, 4.17A
<b>Sound Level</b>	68.9dB - 74.3dB (Adjustable)
<b>Drying Time</b>	Less than 15 seconds
<b>DP Rating</b>	IP 24
<b>Element</b>	325 - 500W, (Adjustable)
<b>Heater</b>	ON/OFF Heating Options, 85°C auto resetting thermostat, 142°C auto reset safety cut off
<b>Warm Air</b>	Speed: 45.5-70m/s (adjustable), Temp: Ambient +25°C
<b>Protection</b>	60 sec power cut off, auto reset
<b>Sensor/Range</b>	Infrared Automatic, Self Adjusting, 170mm+/-20mm, Blue LED indicates operation/range
<b>Case Security</b>	2 SS theft resistant hex drive screws (hex key supplied)
<b>Net Weight</b>	3.8kg
<b>Dimensions</b>	275.5mmW x 216mmH x 100mmD
<b>Warranty</b>	5 Years (3 Years Parts and Labour + 2 Years Parts only)
<b>Note</b>	Unit can be hard wired by electrician or used with cord and plug provided



\*Accessible compliant when installed in accordance with AS1428.1. guidelines.

Safety Approvals

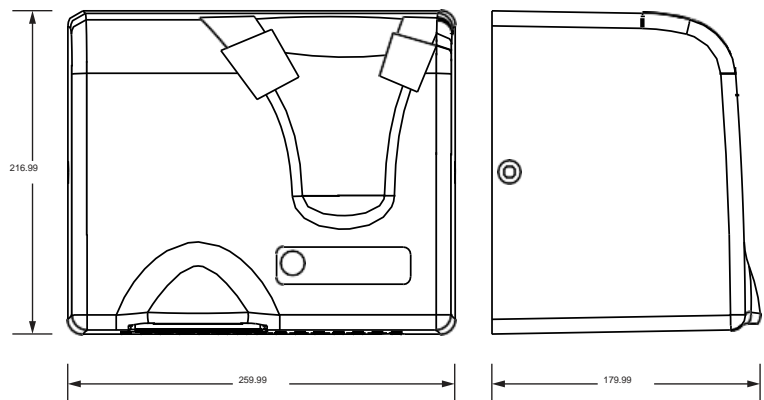


Green Certificates



# ML\_1800\_WHT

## Automatic Operation ABS Hand Dryer



### ML\_1800\_WHT SPECIFICATIONS

<b>Casing</b>	3.0mm White High-Grade Fire-Retardant ABS
<b>Motor</b>	80W Brushless, 2850 RPM, 105°C auto reset overload
<b>Power Use</b>	240V, 50Hz, 1800W, 7.50A
<b>Sound Level</b>	55db (+/- 3)
<b>Drying Time</b>	30-35 seconds
<b>DP Rating</b>	IPX 1
<b>Heater</b>	87°C auto resetting thermostat, 142°C auto reset safety cut off
<b>Warm Air</b>	Speed: 14.5m/s, Temp: Ambient +20°C
<b>Protection</b>	60 sec power cut off, auto reset
<b>Timing</b>	2 sec delay turn off after last read
<b>Sensor/Range</b>	Auto Infrared - 180mm +/-20mm preset, 100 - 300mm adjust
<b>Case Security</b>	2 SS theft resistant hex drive screws (hex key supplied)
<b>Net Weight</b>	3.5kg
<b>Dimensions</b>	259.99mmW x 216.99mmH x 179.99mmD
<b>Warranty</b>	5 Years (3 Years Parts and Labour + 2 Years Parts only)
<b>Note</b>	Unit can be hard wired by electrician or used with cord and plug provided



\*Accessible compliant when installed in accordance with AS1428.1. guidelines.

Safety Approvals



Green Certificates





Warren Park Rugby League Stadium, NT



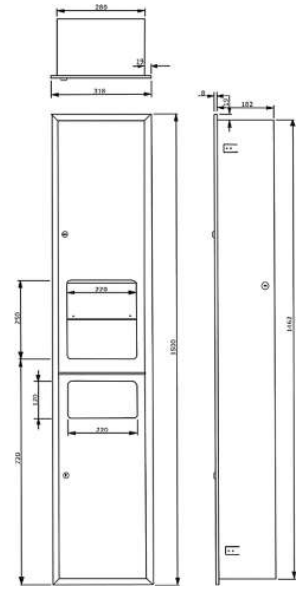
Optus Stadium, WA



Ashmore City Shopping Centre, QLD

# ML\_ECLIPSE\_3N1REC\_D

Recessed Paper Towel Dispenser,  
Hand Dryer & Waste Receptacle



## ML\_ECLIPSE\_3N1REC\_D SPECIFICATIONS

<b>Material/Finish</b>	#304 Satin Stainless Steel
<b>Features</b>	Unit fitted with security lock, Seamless welds, rolled edges
<b>Dispenser/Option</b>	300 Interfold paper towels, 500 Interleaved paper towels
<b>Hand Dryer</b>	Eclipse Auto Dryer
<b>Warranty</b>	5 Years (3 Years Parts and Labour + 2 Years Parts only)
<b>Motor</b>	250-500W Brush Type, Dual Ball Bearings, 29,000 RPM, 95°C auto reset overload
<b>Power Use</b>	240V, 50Hz, 1000W
<b>Power Supply</b>	Hard wired - 4 electrical cable entry points available
<b>Drying Time</b>	Less than 15 seconds
<b>DP Rating</b>	IP 24
<b>Heater</b>	85°C auto reset safety cut off
<b>Warm Air</b>	Speed: 70m/s, Temp: Ambient +25°C
<b>Protection</b>	60 sec power cut off, auto reset
<b>Disposal</b>	21L Removable Stainless Steel waste container
<b>Overall Size</b>	318mmW x 1500mmH x 190mmD
<b>Wall Opening</b>	290mmW x 1472mmH x 192mmD
<b>Note</b>	Unit is to be hard wired by licensed electrician, Unit is supplied with 2 keys



\*Accessible compliant when installed in accordance with AS1428.1. guidelines.

Safety Approvals



Green Certificates



WEEE RoHS



# ML\_ECO\_73N1REC

Recessed Paper Towel Dispenser,  
Receptacle Hand Dryer & Waste

## ML\_ECO\_73N1REC SPECIFICATIONS

<b>Material/Finish</b>	#304 Satin Stainless Steel
<b>Features</b>	Unit fitted with security lock, Full length piano hinge on doors, Seamless welds, rolled edges
<b>Dispenser/Option</b>	300 Interfold paper towels, 500 Interleaved paper towels
<b>Hand Dryer</b>	EcoFast Auto Dryer
<b>Warranty</b>	5 Years (3 Years Parts and Labour + 2 Years Parts only)
<b>Motor</b>	500W Brush Type: Dual Ball Bearings, 29,000RPM 105°C auto resetting safety overload thermostat
<b>Power Use</b>	240V, 50Hz, 1000W, 4.17A
<b>Power Supply</b>	Hard wired - 4 electrical cable entry points available
<b>Drying Time</b>	Less than 15 seconds
<b>DP Rating</b>	IPX1
<b>Heater</b>	85°C auto reset safety cut off
<b>Warm Air</b>	Speed: 90m/s, Temp: Ambient +30°C
<b>Protection</b>	60 sec power cut off, auto reset
<b>Disposal</b>	20L Removable Stainless Steel waste container
<b>Overall Size</b>	318mmW x 1625mmH x 141.5mmD
<b>Wall Opening</b>	290mmW x 1600mmH x 145mmD
<b>Specify</b>	Recessed
<b>Note</b>	Unit is to be hard wired by licensed electrician. Unit is supplied with 2 keys

# ML ECO 73N1SM

Surface Mount Paper Towel  
Dispenser, Receptacle Hand Dryer  
& Waste



## ML\_ECO\_73N1SM SPECIFICATIONS

<b>Material/Finish</b>	#304 Satin Stainless Steel
<b>Features</b>	Unit fitted with security lock, Full length piano hinge on doors, Seamless welds, rolled edges
<b>Dispenser/Option</b>	300 Interfold paper towels / 500 Interleaved paper towels
<b>Hand Dryer</b>	Eco Auto Dryer
<b>Warranty</b>	5 Years (3 Years Parts and Labour + 2 Years Parts only)
<b>Motor</b>	500W Brush Type: Dual Ball Bearings, 29,000RPM 105°C auto resetting safety overload thermostat
<b>Power Use</b>	240V, 50Hz, 1000W, 4.17A
<b>Power Supply</b>	Hard wired - 4 electrical cable entry points available
<b>Drying Time</b>	Less than 15 seconds
<b>DP Rating</b>	IPX1
<b>Heater</b>	85°C auto reset safety cut off
<b>Warm Air</b>	Speed: 90m/s, Temp: Ambient +30°C
<b>Protection</b>	60 sec power cut off, auto reset
<b>Disposal</b>	20L Removable Stainless Steel waste container
<b>Overall Size</b>	318mmW x 1625mmH x 141.5mmD
<b>Specify</b>	Surface Mounted
<b>Note</b>	Unit is to be hard wired by licensed electrician. Unit is supplied with 2 keys





**Optus Stadium, WA**



**Maryborough Highland Society, VIC**



**Hotel Esplanade, VIC**

Our Hand Dryers have been used in countless projects across market segments throughout Australasia.

Metlam Australia has a Hand Dryer solution for every project and budget.



**Martial Arts Centre, Liverpool NSW**



**Waikerie Recreation Centre, SA**



**Melbourne Recital Centre, VIC**



**The Lights Community and Sports Centre, SA**



**McDonalds, South Melbourne Vic**



**146 Marsden Street, Parramatta NSW**





**METLAM**  
A U S T R A L I A



**METLAM**  
A U S T R A L I A

For further information on our product range please contact us at:  
1300 Metlam for all calls inside Australia  
Head Office: 17 Parkers Road, New Gisborne VIC 3438

T: +61 3 5420 8800

E: [sales@metlam.com.au](mailto:sales@metlam.com.au)

Website: [www.metlam.com.au](http://www.metlam.com.au)

The technical recommendations contained in this document are necessarily of a general nature and should not be relied on for specific applications without first securing competent advice. Whilst Metlam Australia Pty Ltd has taken all reasonable steps to ensure the information contained herein is accurate and current, it does not warrant the accuracy or completeness of the information and does not accept liability for errors or omissions. Any commercial product should only be installed by a competent tradesperson and serviced/maintained by knowledgeable janitorial staff or competent people. Metlam Australia accepts no responsibility for any damage to product, walls or fixtures due to incorrect installation or maintenance of any of their products.